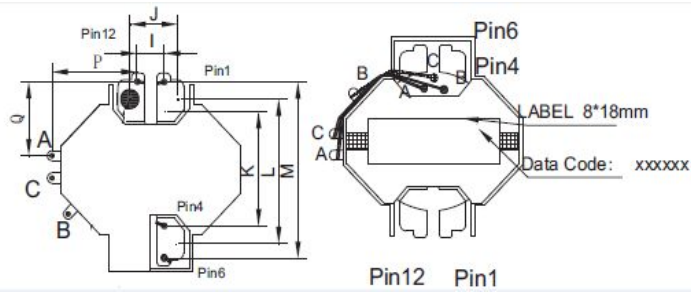


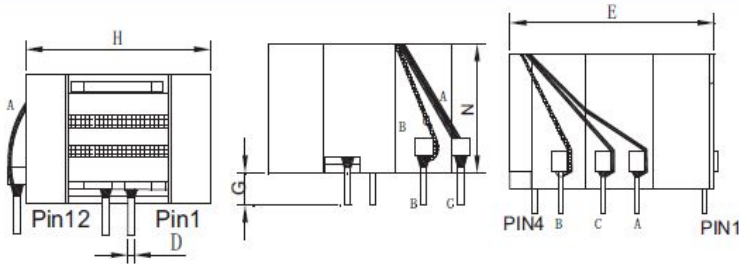
CUSTOMER TERMINAL	ROHS	Lead(Pb)-free
	YES	YES



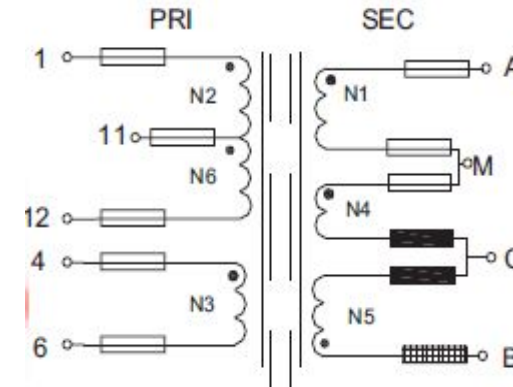
### 1.Mechanical Dimensions



H	29.0	MAX
E	26.0	MAX
N	20.0	MAX
G	3.5	±0.5
I	3.6	±0.3
J	7.2	±0.3
K	14.4	±0.4
L	18.0	±0.4
M	21.6	±0.4
P	12.6	±0.4
Q	7.9	±0.3
D	0.6	±0.1



### 2.Schematic Diagram



### 3.Material List

Core:FW44 RM8  
 Bobbin:FWB0804(6+6PIN)  
 Wire:2UEW TIW  
 Copper foil: 0.025t\*5.0/6.0mm  
 Operating Temperature: -30 to115 °C

### 4.Electrical Specification

Inductance :  $L(1-12):430\mu H \pm 5\%$  100KHZ , 1.0V  
 Leakage inductance: 10uH MAX 70KHZ , 1.0V  
 DCR :  $(12-1)=0.55\Omega$  MAX  
 Hi-Pot:P-S: AC 60Hz 4000V 1mA 3S  
 S-CORE:AC 60Hz 4000V 1mA 3S

REV.	DATE	 Convention Placement	DRW.	Drawing Title:  <b>TRANSFORMER</b>	Part No:
0	00/00		CHK.		FWPTRM8V431J-1
			APP.		Customer P/N
<b>ROHS</b>		<a href="http://www.ferriwo.com">www.ferriwo.com</a>			